



16601601
Edition 1
January 2007

Air Impact Wrench

1720B and 1720P Series

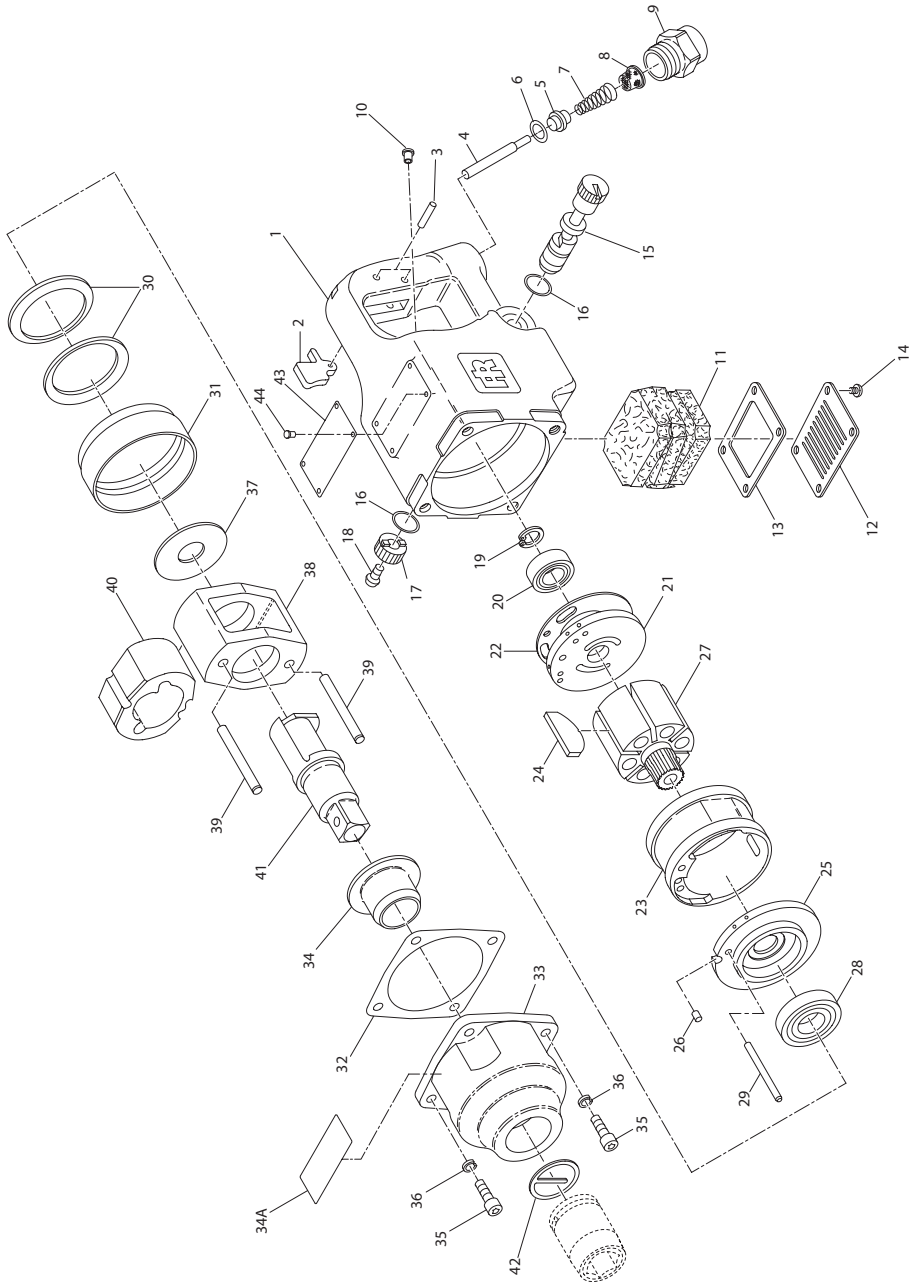
Parts Information



Save These Instructions

 **Ingersoll Rand**

1720B Series Air Impact Wrench Exploded Diagram



(Dwg. TPA968-1)

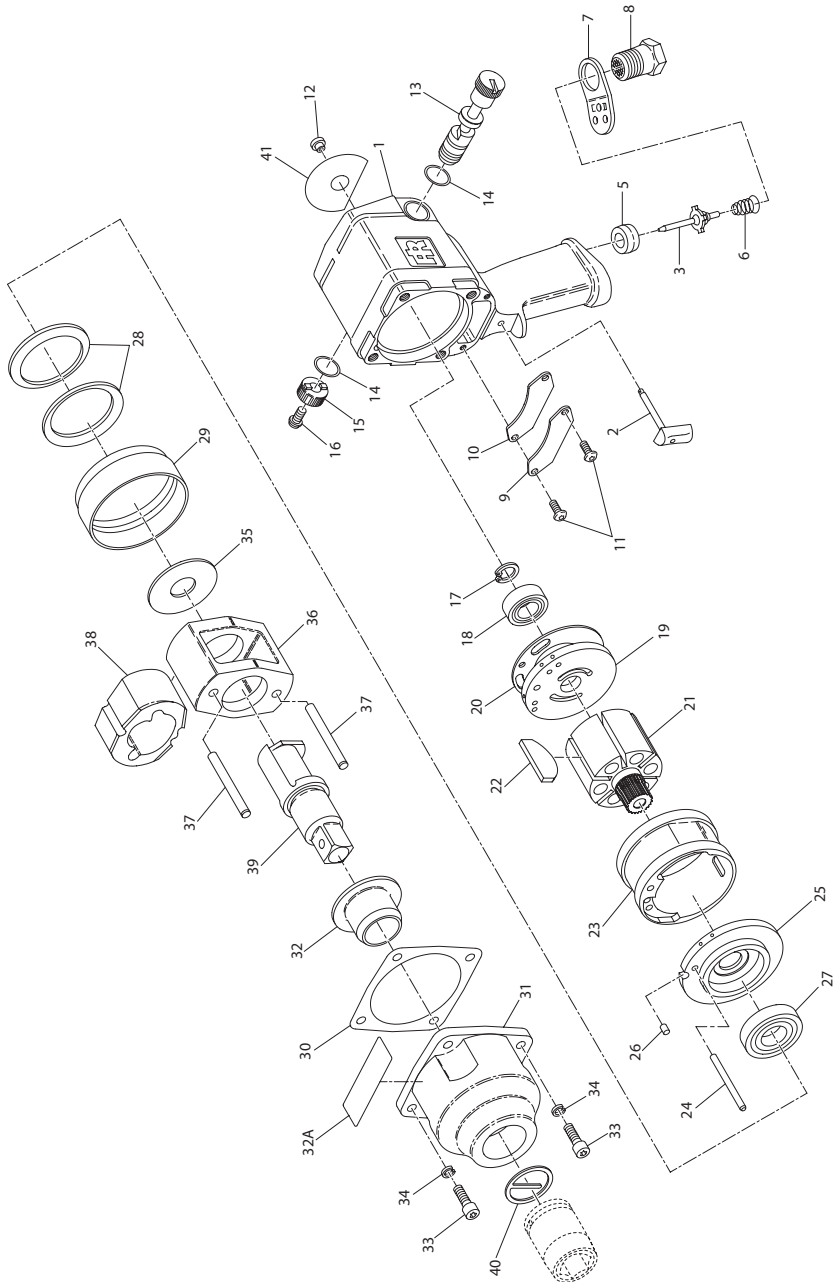
1720B Series Air Impact Wrench Parts List

Item	Part Description	Part Number	Item	Part Description	Part Number
1	Motor Housing Assembly	1720B-A40	29	Cylinder Dowel	910-98
2	Trigger	834-93A	30	Motor Clamp Washer (2)	2920-207
3	Trigger Pin (2)	534-265	31	Motor Retainer	2920B-800
4	Throttle Valve Plunger	2920B-302	♦32	Hammer Case Gasket	910-36
5	Throttle Valve Assembly	834-50	33	Hammer Case Assembly	1720B-A727
♦6	Throttle Valve Face	435-159	34	Hammer Case Bushing	2920-641
♦7	Throttle Valve Spring	834-51	34A	Warning Label	WARNING-2-99
♦8	Air Strainer Screen	434-61	35	Hammer Case Cap Screw (4)	34U-103
9	Air Inlet Bushing	834-565	36	Cap Screw Lock Washer (4)	34U-58
10	Grease Fitting	130SR-188	37	Rear Hammer Frame Washer	910-706
♦11	Exhaust Silencer	1720B-311	38	Hammer Frame Assembly	2910-A703
12	Exhaust Deflector	2910B-23	39	Hammer Pin (2)	2910-704
♦13	Exhaust Deflector Gasket	2910B-223	40	Hammer	260-724
14	Exhaust Deflector Screw (4)	H54U-667	41	Anvil	
15	Reverse Valve	1710B-329		3/4" square drive	260-726
♦16	Reverse Valve Seal (2)	261-283		1" square drive	1711B-826
17	Reverse Valve Knob	231-666	42	Socket Retainer	
18	Reverse Valve Knob Screw	231-665		for 3/4" square drive	RR10034S
♦19	Rear Rotor Bearing Retainer	MVA008-218		for 1" square drive	RR10015S
♦20	Rear Rotor Bearing	4E-510	43	Nameplate	1720B-301
21	Rear End Plate	2921HP-12	44	Nameplate Screw (4)	C32-302
♦22	Rear End Plate Gasket	2920B-283	*	Dead Handle Bracket	2910B-364
23	Cylinder	2920-3	*	Dead Handle	834-48
♦24	Vane Packet (set of 6 Vanes)	2910-42-6	*	Horizontal Hanger	910-366
25	Front End Plate	2921HP-11	*	Tune-up Kit (includes illustrated parts 6, 7, 8, 11, 13, 16 [2], 19, 20, 22, 24, 28 and 32)	1720B-TK2
26	End Plate Dowel	2920-74			
27	Rotor	2910B-53			
♦28	Front Rotor Bearing	834-24			

* Not Illustrated

♦ Included in Tune-up Kit.

1720P Series Air Impact Wrench Exploded Diagram



(Dwg. TPA971-2)

1720P Series Air Impact Wrench Parts List

Item	Part Description	Part Number	Item	Part Description	Part Number
1	Motor Housing Assembly	1720P-A40	26	End Plate Dowel	2920-74
2	Trigger Assembly	2920P-A93	♦27	Front Rotor Bearing	834-24
♦3	Throttle Valve	2921-302	28	Motor Clamp Washer (2)	2920-207
♦5	Throttle Valve Seat	DG230-303	29	Motor Retainer	2920B-800
♦6	Throttle Valve Spring	1720P-51	♦30	Hammer Case Gasket	910-36
7	Exhaust Deflector	1720P-23	31	Hammer Case Assembly	1720B-A727
8	Inlet Bushing	2920P-465	32	Hammer Case Bushing	2920-641
9	Housing Plate	1720P-230	32A	Warning Label	WARNING-2-99
♦10	Housing Plate Gasket	1720P-231	33	Hammer Case Cap Screw (4)	34U-103
11	Housing Plate Screw (2)	FEA100-112	34	Cap Screw Lock Washer (4)	34U-58
12	Grease Fitting	130SR-188	35	Rear Hammer Frame Washer	910-706
13	Reverse Valve	1710B-329	36	Hammer Frame Assembly	2910-A703
♦14	Reverse Valve Seal (2)	261-283	37	Hammer Pin (2)	2910-704
15	Reverse Valve Knob	231-666	38	Hammer	260-724
16	Reverse Valve Knob Screw	231-665	39	Anvil	
♦17	Rear Rotor Bearing Retainer	MVA008-218		3/4" square drive	260-726
♦18	Rear Rotor Bearing	4E-510		1" square drive	1711B-826
19	Rear End Plate	2921HP-12	40	Socket Retainer	
♦20	Rear End Plate Gasket	2920B-283		for 3/4" square drive	RR100345
21	Rotor	2910B-53		for 1" square drive	RR100155
♦22	Vane Packet (set of 6 Vanes)	2910-42-6	41	Nameplate	1720P-301
23	Cylinder	2920-3	*	Horizontal Hanger	910-366
24	Cylinder Dowel	910-98	*	Tune-up Kit (includes illustrated parts 3, 5,	
25	Front End Plate	2921HP-11	*	6, 10, 14 [2], 17, 18, 20, 22, 27 and 30)	1720P-TK2

* Not Illustrated

♦ Included in Tune-up Kit.

Parts and Maintenance

When the life of the tool has expired, it is recommended that the tool be disassembled, degreased and parts be separated by material so that they can be recycled.

Tool repair and maintenance should only be carried out by an authorized Service Center.

Refer all communications to the nearest **Ingersoll Rand** Office or Distributor.

Related Documentation

For additional information refer to:

Product Safety Information Manual 04580916.

Product Information Manual 03532983.

Maintenance Information Manual 16601619.

Manuals can be downloaded from www.irttools.com.

www.irttools.com

© 2007 *Ingersoll Rand* Company

